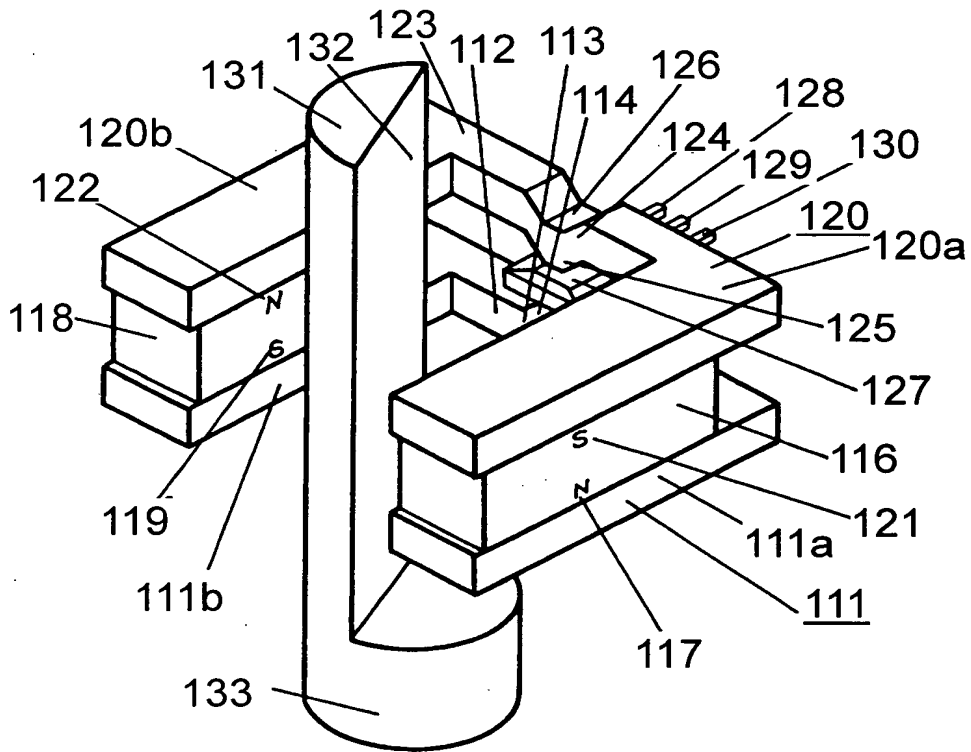




RECEIVED
FEB 17 2004

FIG.17





RECEIVED
FEB 17 2004

FIG.18 (a)

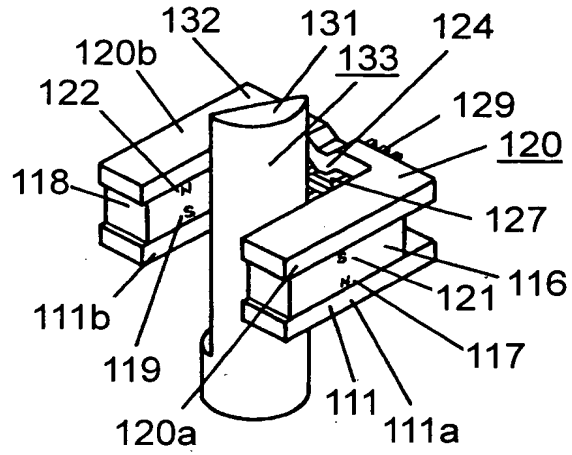


FIG.18 (b)

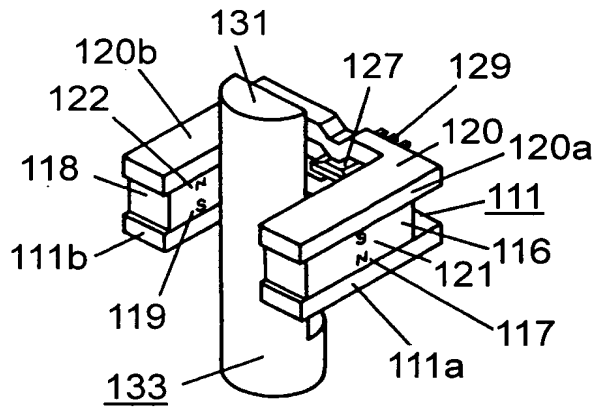
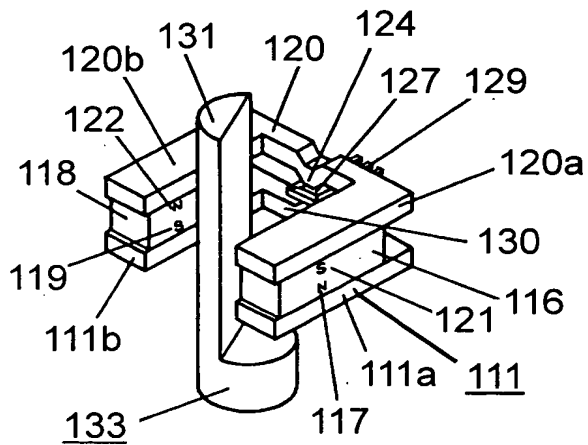
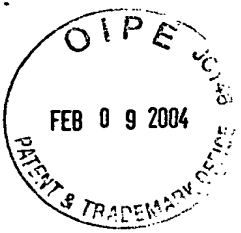


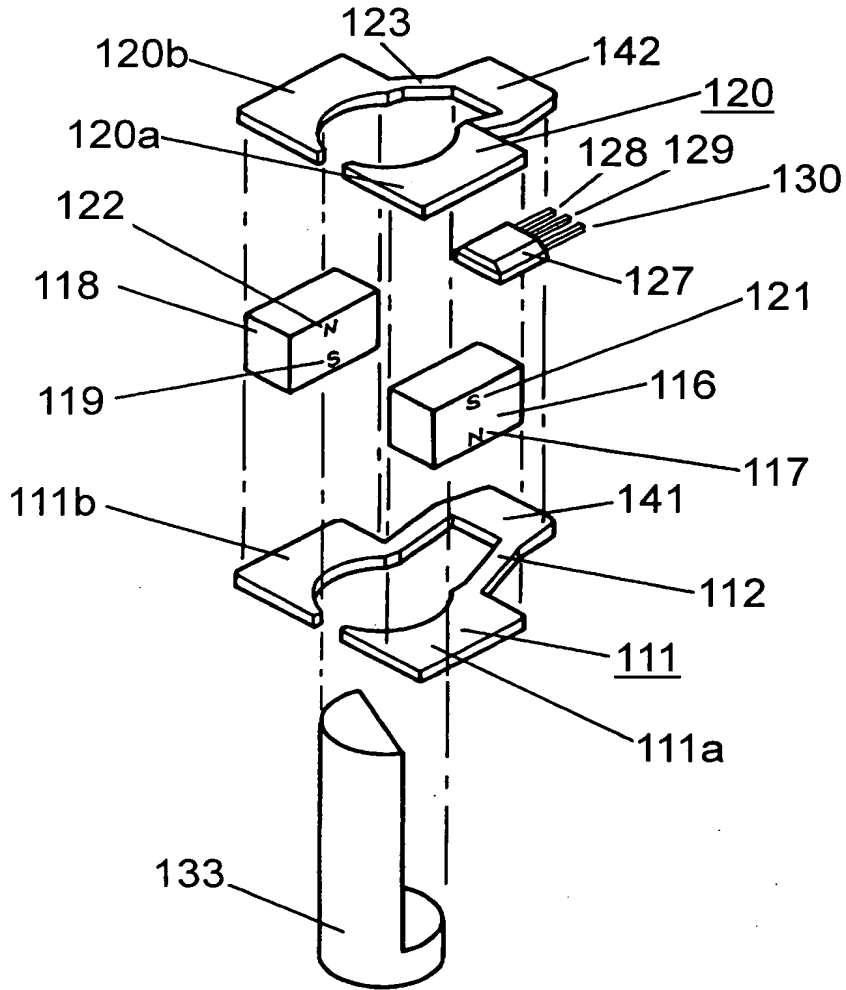
FIG.18 (c)





RECEIVED
FEB 17 2004

FIG.20



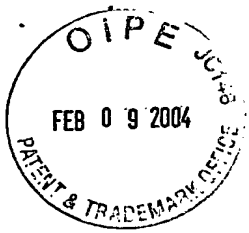
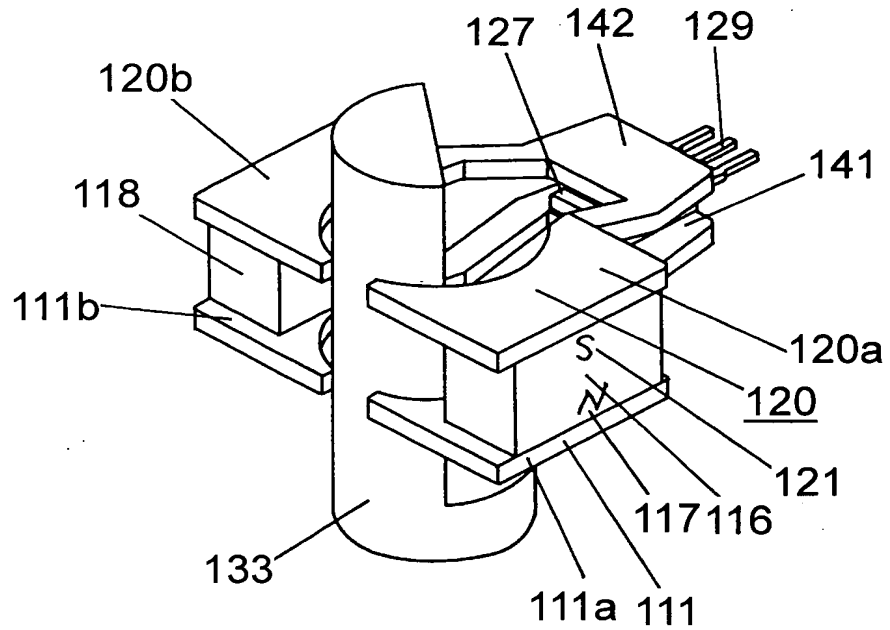
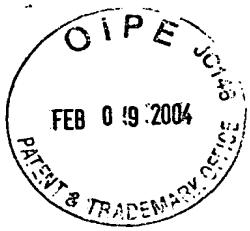


FIG.21

RECEIVED
FEB 17 2004





FEB 17 2004

FIG.22

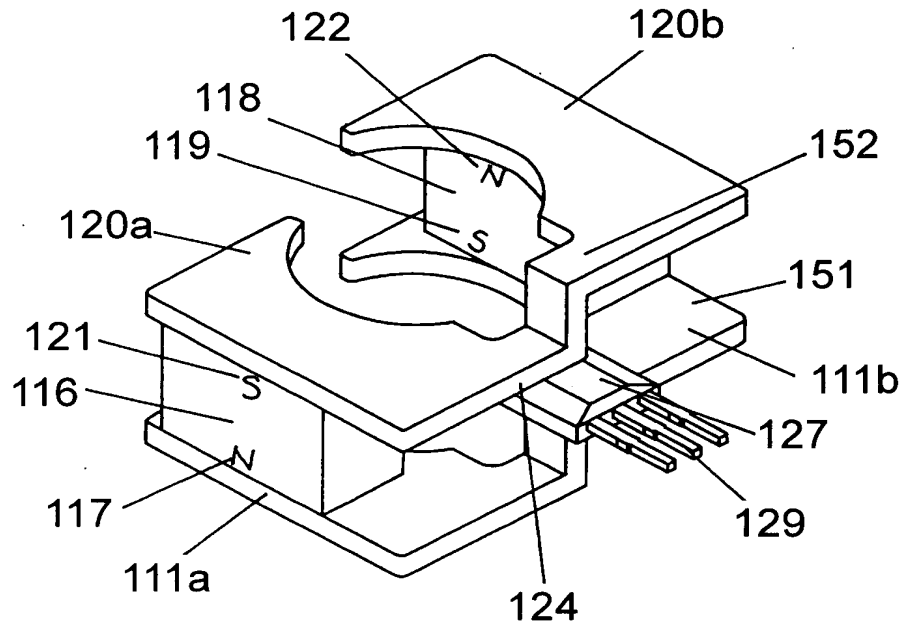


FIG.23

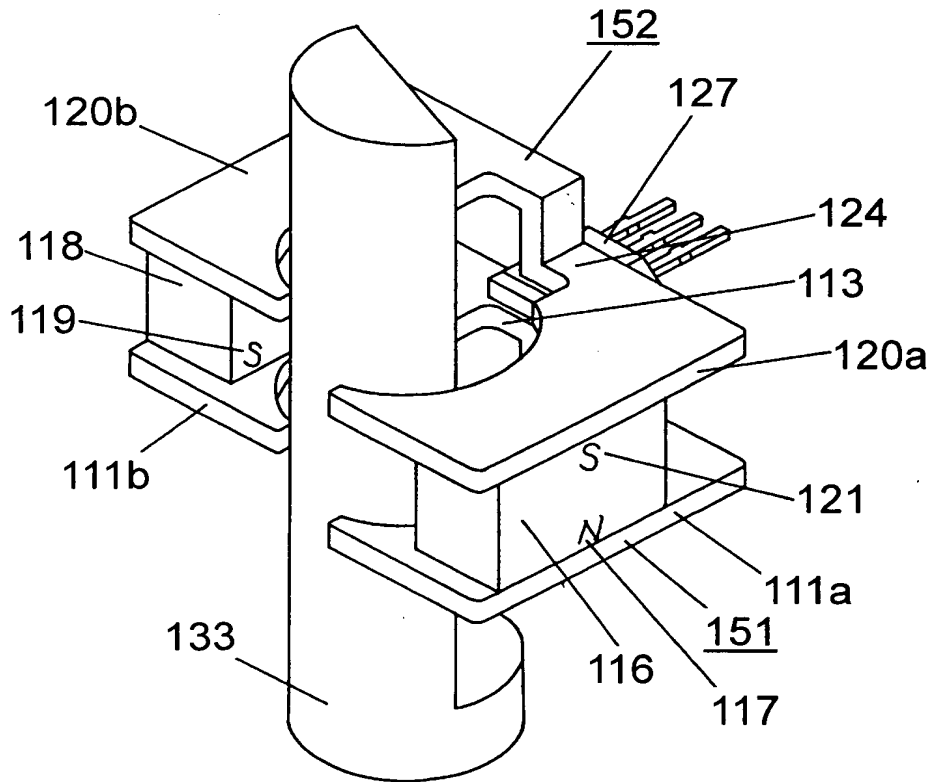




FIG.24

RECEIVED
FEB 17 2004

